

SmartPurge® Z

Product Datasheet

Zone 2, Class I Div 2

Fully Automatic Type Z Purge & Pressurization System



Performance & Flexibility

Purges enclosures up to 6.1m³ (215 ft³).

Automatic leakage compensation, eliminates time consuming flow rate adjustment, and addresses increased enclosure leakage over time. Minimises consumption of purge gas.

ATEX, IECEx, cULus, UKEX, PESO, CCC & INMETRO certified.

Simple installation

All-in-one unit contains the purge gas inlet, overpressure relief valve and control system – eliminates the need to install and connect multiple components.

Simplest configuration – setting the purge timer is the only user input.

What is it?

The SmartPurge Z is a fully certified purge and pressurization system for Zone 2 and Class 1 Div 2 hazardous area applications. When fitted to a suitable enclosure, the system enables standard uncertified electrical equipment to be operated safely in a hazardous location.

The SmartPurge Z uniquely contains all elements of a purge and pressurization system; control unit, purge inlet and purge outlet with an overpressure relief valve, in a single robust GRP housing. Additionally, the system provides automatic switching between purge mode and control of leakage compensation flow rate.

Simple to install and configure, and able to purge a wide range of enclosure sizes, SmartPurge Z is ideally suited for use with OEM systems, gas analysers, DCS systems, and other electrical enclosures.

How does it work?

When purge is started the system supplies a high flow of purge gas, usually compressed air, and monitors that flow at the outlet valve. Providing that flow is sufficient, the purge timer is started. The purge timing is simple to set during commissioning of the unit. Purging in progress is indicated by flashing green LEDs.

After the purge time is complete, the purge gas flow stops and the system switches to Leakage Compensation mode, controlling a lower flow of purge gas, sufficient to compensate for any enclosure leakage. This flow rate is automatically adjusted in real time to compensate for enclosure leakage, including any change in enclosure integrity. This pressurized mode is indicated by solid green LEDs.

The enclosure pressure is continually monitored. Any fall below the low pressure alarm level is indicated by red LEDs. Contacts are included to permit connection to a remote alarm system.

Typical Applications

Control panel purge
Process gas analysers
DCS systems
Label printers; PCs; monitors



Simplifying Complexity.
Delivering Safety.



SmartPurge[®] Z

Product Datasheet Zone 2, Class I Div 2

Specifications

Hazardous environment	Zone 2, Class I Div 2
Ambient temperature range	-20°C to +58°C (-4°F to +136°F)
Hazardous area approvals	IECEX; ATEX; cULus; UKEX; PESO; INMETRO; CCC
Purging mode	Automatic Leakage Compensation
Purge gas supply	4.0–5.0 barg (58–72 psig) instrument air supply (or other inert gas). Must be regulated at inlet.
Purge flow rate	Minimum 310 NI/min (11 SCFM) at 4 bar (58psig) supply pressure. Leakage compensation capacity; up to 90 NI/min (3.2 SCFM)
Purge time	User selectable 1-99 mins
Enclosure size	Suitable for enclosures up to 6.1m ³ (215 ft ³)
Enclosure pressure	1.5 to 4.5 mbarg (0.6 to 1.8"wc) after purge phase
Low pressure alarm	Fixed at 0.5 mbar (0.2 "wc)
Relief valve	Integrated into the unit. Lift-Off pressure: 10 mbar (4"wc).
Status indication	LED: Green flashing - purge in progress; Green solid - enclosure pressurized; Red - Alarm
Purge flow measurement	Direct purge flow measurement at relief valve exhaust to ensure full code compliance
Signal outputs	Low pressure alarm: N.O. volt-free dry contact. Rating AC-1 250VAC, 8A; DC-1 30VDC, 6A.
Power requirements	AC model: 90-250 VAC, 50-60 Hz DC model: 18-30 VDC
Material/Ingress protection	Housing GRP. Maintains IP66 or UL50E NEMA 4X
Unit Dimensions (LxWxD)	237.4 mm x 220.3 mm x 175.6 mm (9.35" x 8.67" x 6.91")
Product weight	3kg (6.6lb)
Installation	Direct mount to the purged enclosure wall. Single purge gas pipe to run to opposite corner of enclosure (3m / 10ft. length supplied).



Simplifying Complexity.
Delivering Safety.



SmartPurge® Z

Product Datasheet

Zone 2, Class I Div 2

Part Code

	SmartPurge Z	Power Supply	Certification
Part Code Example	SPZ - 1ALG	-M111	-A00
90-254 VAC		-M111	
18-30 VDC		-L111	
ATEX & IECEX			-A00
CCC + ATEX & IECEX			-C00
INMETRO + ATEX & IECEX			-N00
KOSHA + ATEX & IECEX			-K00
PESO + ATEX & IECEX			-P00
UL: NEC + CEC			-U



Simplifying Complexity.
Delivering Safety.

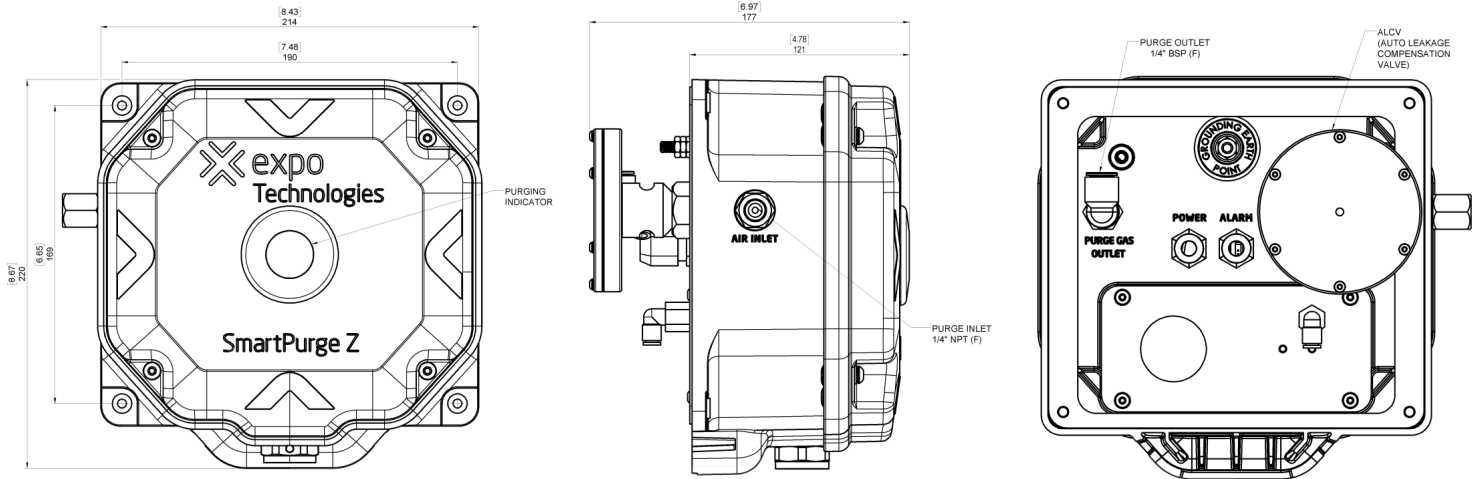


SmartPurge[®] Z

Product Datasheet

Zone 2 Class I Div 2

General Arrangement Drawings



Hazardous Area Certification

ATEX:

II 3 (3) G Ex ec ic nC
[pzc Gc] IIC T5 Gc

Tamb -20 °C to +58°C

UKEX:

II 3 (3) G Ex ec ic nC
[pzc Gc] IIC T5 Gc

Tamb -20 °C to +58°C

INMETRO:

Ex ec ic nC [pzc Gc] IIC
T5 Gc

-20 °C to +58 °C

NEC / CEC Explosion protection Marking:

Class I Division 2

Type Z Pressurization System

60 °C T4

IECEX:

Ex ec ic nC [pzc Gc] IIC
T5 Gc

Tamb -20 °C to +58 °C

PESO:

Ex ec ic nC [pzc Gc] IIC
T5 Gc

CCC:

Ex ec ic nC [pzc Gc] IIC
T5 Gc

Tamb -20 °C to +58 °C

Expo Technologies Ltd.
Unit 2, The Summit,
Hanworth Road,
Sunbury on Thames,
TW16 5DB, UK.
T: +44 (0) 208 398 8011
E: sales@expoworldwide.com

Expo Technologies Inc.
9140 Ravenna Road, Unit #3,
Twinsburg,
OH 44087,
USA
T: +1 (440) 247 5314
E: sales.na@expoworldwide.com

Qingdao Expo M&E
Technologies Co. Ltd.
329 Huashan Er Lu,
Jimo City, Qingdao,
266200 China
T: +86 532 8906 9858
E: qingdao@expoworldwide.com

Expo Technologies Ltd.
Johannstraße 37
3rd Floor
40476 Düsseldorf,
Germany
T: +49 (0) 211 5408 5105
E: sales@expoworldwide.com

